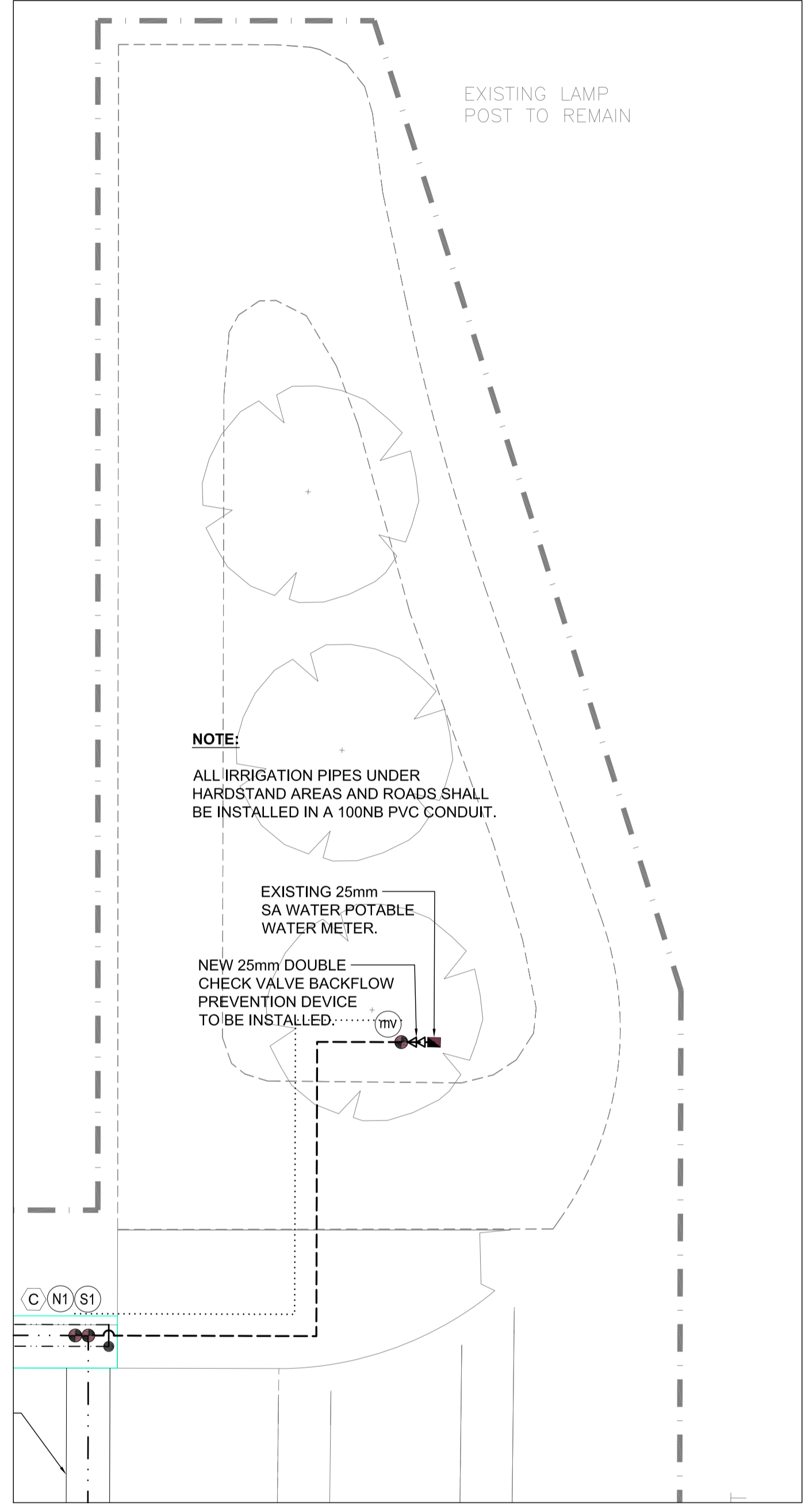


REFER INSET PLAN FOR CONTINUATION



INSET PLAN

VALVE TABLE - DRIP

VALVE NO	FLOW (L/min)	SIZE (mm)	PRESSURE (kPa)	PRECIP RATE mm/h	RUN TIME min *	AREA	TYPE
N1	13	25	210	10	60	150	RAIN BIRD XFS
S1	21	25	210	10	60	243	RAIN BIRD XFS

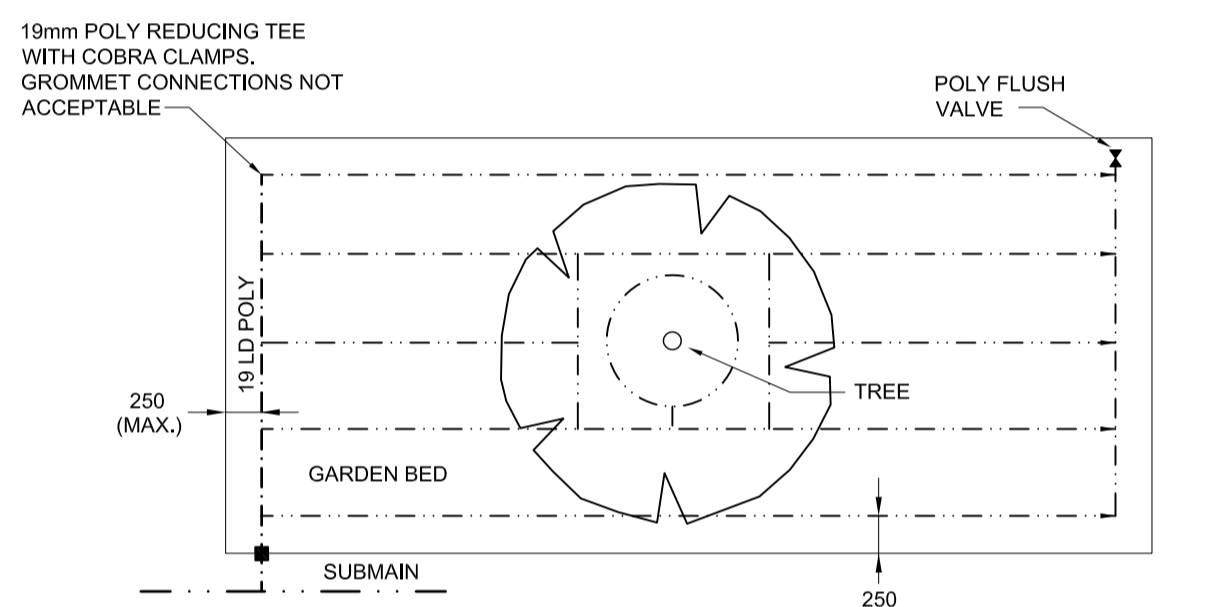
\* RUN TIME CALCULATED TO APPLY 10mm DRIP FLOW RATES AND AREAS ARE APPROXIMATE ONLY.

- LEGEND**
- DN40 PE100 PN12.5 POLY MAINLINE PIPE
  - DN40 PE100 PN12.5 POLY SUBMAIN PIPE
  - 19mm LOW DENSITY POLY PIPE
  - RAIN BIRD XFS DRIPLINE 2.3LPH @ 0.457m EMITTER SPACING
  - 5 CORE x 1.5mm2 MULTI-STRANDED WIRING PATH
  - ① VALVE NUMBER
  - ⊕ 25mm HUNTER ICV SOLENOID VALVE FITTED WITH SENNINGER PRLV-30 FLOW LIMIT PRESSURE REGULATOR
  - CONNECTION POINT WITH 19mm GREENBACK VALVE (IN 150mm COMMERCIAL ROUND VALVE BOX)
  - 25mm WATER METER (REFER TO DRAWING)
  - ⊙ HUNTER NODE-200 BATTERY OPERATED CONTROLLER
  - ⊕ EXISTING DOUBLE CHECK VALVE ASSEMBLY (BPD)
  - 19mm FLUSH VALVE ASSEMBLY (IN 150mm COMMERCIAL ROUND VALVE BOX)

- NOTES**
- CONTRACTOR TO VERIFY LOCATION OF ALL EXISTING UTILITIES ON SITE PRIOR TO INSTALLATION OF THE IRRIGATION SYSTEM.
  - CONNECT TO WATER SOURCE AT THE LOCATION INDICATED ON PLAN.
  - ALL CONTROL CABLES AND PIPES CROSSING PATHWAYS TO BE INSTALLED WITHIN CONDUIT.

- GARDEN BEDS**
- INSTALL RAI BIRD XFS DRIPLINE, 2.3L/h PC EMITTERS @ 0.457m EMITTER SPACING. LATERAL SPACING TO BE 0.5m. TUBE TO BE LAID ON THE SURFACE AND COVERED WITH MULCH DURING THE LANDSCAPING. TUBE TO BE HELD DOWN WITH 150mm LONG PLASTIC PEGS (OR EQUIVALENT) AT 2m INTERVALS. ALLOW FOR FLUSHING VALVE ON ALL HEADER PIPES.
- ALL DRIPLINE LATERALS SHALL BE CONNECTED TO HEADER AND FOOTER PIPES USING POLY TEE FITTINGS & STAINLESS STEEL COBRA CLAMPS (GROMMET CONNECTIONS WILL NOT BE ACCEPTED).

- TREES**
- INSTALL AT THE BASE OF EACH TREE, INSTALL 300mm AND 450mm DIAMETER LOOPS OF RAIN BIRD XFS DRIPLINE (REFER TO DETAIL). NOTE: EXISTING ESTABLISHED TREES DO NOT REQUIRE ADDITIONAL WATERING.

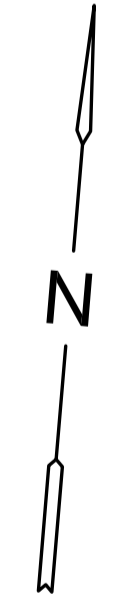


LANDSCAPE GARDEN BED TYPICAL INSTALLATION DETAIL NOT TO SCALE

**LANDSCAPE GARDEN BEDS**  
RAIN BIRD XFS DRIPLINE, 2.3L/h PC EMITTERS @ 0.457m EMITTER SPACING. LATERALS @ 0.5m SPACING. GENERALLY DRIP TUBE SHOULD BE INSTALLED IN A GRID PATTERN & INSTALLED TO PLANTED AREAS ONLY. IF THERE ARE NO PLANTS THERE IS NO IRRIGATION. TUBE IS TO BE COVERED WITH MULCH DURING THE LANDSCAPING.

**TREES**  
LOOPS OF RAIN BIRD XFS DRIPLINE, 2.3L/h PC EMITTERS @ 0.457m EMITTER SPACING (REFER TO NOTES).

- LEGEND:**
- EXTENT OF WORK
  - CHAINAGE
  - ⊕ NEW TREES
  - ⊕ EXISTING TREES TO REMAIN



TENDER - NOT FOR CONSTRUCTION

Drawing file: 13794-d1\_20-05-16.dwg - Saved at: 20/09/2016 5:24:35 PM - Plotted at: 20/09/2016 11:51:15 AM - Original Size: A1

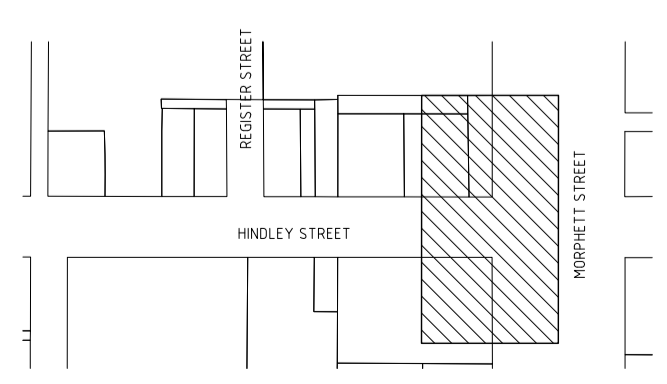
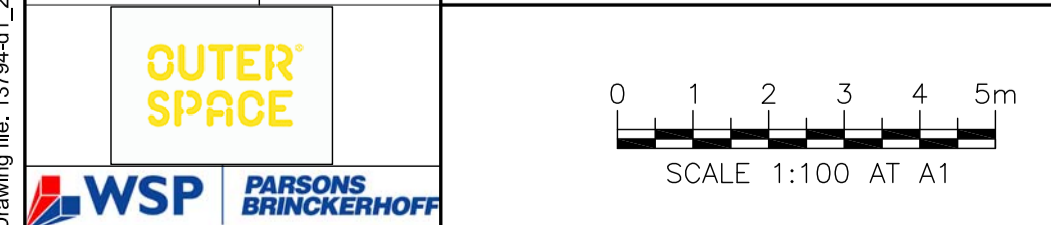
REFER SHEET 26 FOR CONTINUATION



DESIGNED JS DATE 07/2016  
 DRAWN JS DATE 07/2016  
 CHECKED JS DATE 07/2016  
 QUALITY ASSURED JS DATE 07/2016

THIS DRAWING SHALL BE READ IN CONJUNCTION WITH THE SPECIFICATION.

The Contractor and his Sub-contractors shall verify all dimensions, lines, levels and existing service locations, prior to commencement on site, preparation of detail/shop drawings, and fabrication of construction/building components.



**TENDER COPY - CERTIFICATION**

"I, ..... (Representative's Name) being a duly authorised representative of ..... (Consulting firm or company) hereby:  
 - certify the information in this drawing is an accurate "design" representation of the works.  
 - certify that the "design" is in accordance with the brief and amendments thereto.  
 - accept responsibility for the "design" information contained in this drawing.  
 - acknowledge the "design" information contained in this drawing may be relied on by Council and others.

Certification for Stage ..... by ..... on .....  
 (Stage No.) (Signature) (Date)

for: ..... (Company Name)

**TENDER REVISIONS/AMENDMENTS**

No.	DESCRIPTION	BY	DATE
01	CLIENT REVIEW ISSUE	JS	17/06/2016
T1	ISSUED FOR TENDER	JS	11/08/2016

**HINDLEY STREET REGISTER STREET TO MORPHETT STREET**

HINDLEY STREET WEST STAGE 2 STREETSCAPE IRRIGATION PLAN - SHEET 2

ACC USE - SIGHTED FOR TENDER

PROJECT ASSET MANAGER DESIGN TEAM LEADER PROJECT MANAGER

ACC PROJECT NUMBER P717  
 SCALE 1:100  
 NUMBER OF SHEETS 30  
 SHEET SIZE A1  
 DRAWING SET NUMBER T1  
 A1-2016-034 27

ACC PLOTSTAMP: 20/09/2016 11:51 AM